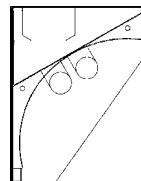
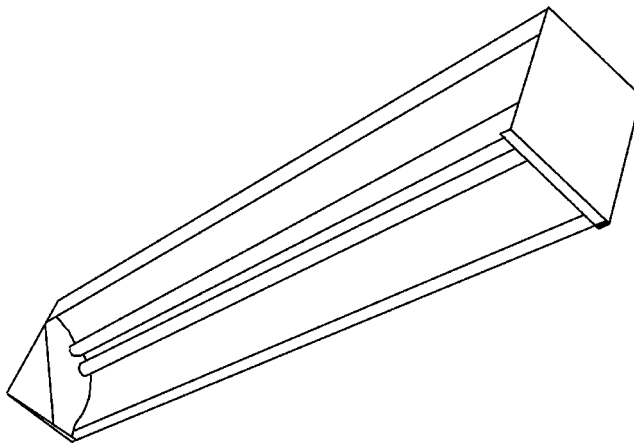


Job _____

Type _____

Catalog# _____



SWL SERIES

Surface Mounted Wall Wash

APPLICATION

- Highlights retail merchandise, signage, and artwork.
- Designed to offer uniform illumination of vertical surfaces or displays.
- Available in two and four foot lengths. Option include: 17 or 32 Watt T8 and 28 or 54 Watt T5 fluorescent lamps.
- Ideal for locations where ceiling plenum does not allow a recessed fixture.


CONSTRUCTION



- Die-formed code gauge cold rolled steel housing. Corners are internally overlapped and welded to provide a clean, crisp appearance and prevent light leakage.
- Two piece internal non-iridescent specular aluminum reflector provides maximum wall illumination with minimum brightness.
- Knockout provides on top of housing for electrical connections and mounting.

FINISH

- All metal parts pretreated with a phosphate bonding process and post-painted with an electrostatically-applied high temperature baked enamel for superior quality and durability. Reflectance factor in excess of 89%.

ELECTRICAL

- Energy-saving and electronic Class P, CBM/ETL certified, HPF ballasts comply with Federal Energy Efficiency Standards. 

-  listed and  listed.

- I.B.E.W. labeled.



SWL SERIES

Surface Mounted
Wall Wash

PHOTOMETRIC DATA

New Fixture Photometric Data Pending

ORDERING GUIDE

SWL **1** **17** **24** - **EO** **1**

Series	No. Lamps	Lamp Style	Fix. Size	Ballast	Volts
SWL	1	17	24	EO, ET	1
SWL	1	28	24	EO	1
SWL	1	54	24	EO	1
SWL	2	32	48	EO, ET	1
SWL	2	28	48	EO	1
SWL	2	54	48	EO	1

LAMPS:

17 - 17 Watt T8
32 - 32 Watt T8
28 - 28 Watt T5
54 - 54 Watt T5 HO

BALLASTS:

EO - 265 ma Electronic
ET - 430 ma Electronic

VOLTS:

1 - 120 Volts
4 - 277 Volts
9 - Universal Voltage

DIMENSIONS

specifications and dimensional data subject to
change without notice

