

63174

PARTS LIST		
ITEM	QTY	DESCRIPTION
A	2	FIXTURE
B	1	"U" SHAPED JOINER
C	2	SIDE PLATE JOINER
D	4	NUT

**MAX RUN LENGTH
PER CIRCUIT 81FT**

Continuous Row Instructions:

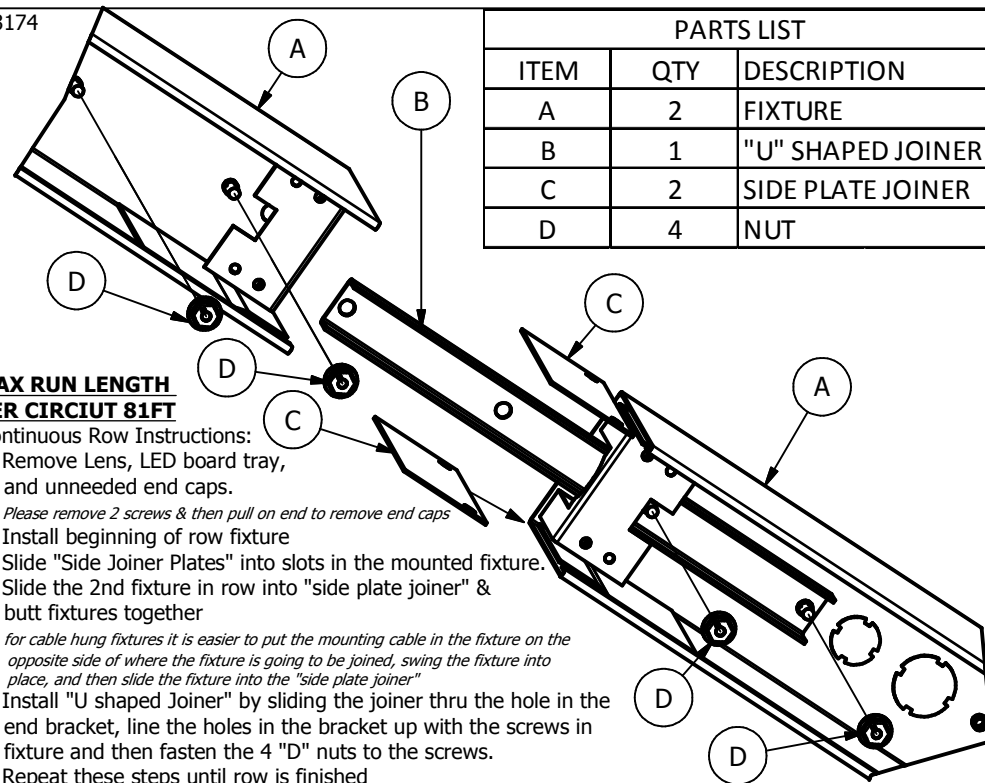
1. Remove Lens, LED board tray, and unneeded end caps.

Please remove 2 screws & then pull on end to remove end caps

2. Install beginning of row fixture
3. Slide "Side Joiner Plates" into slots in the mounted fixture.
4. Slide the 2nd fixture in row into "side plate joiner" & butt fixtures together

for cable hung fixtures it is easier to put the mounting cable in the fixture on the opposite side of where the fixture is going to be joined, swing the fixture into place, and then slide the fixture into the "side plate joiner"

5. Install "U shaped Joiner" by sliding the joiner thru the hole in the end bracket, line the holes in the bracket up with the screws in fixture and then fasten the 4 "D" nuts to the screws.
6. Repeat these steps until row is finished



63174

PARTS LIST		
ITEM	QTY	DESCRIPTION
A	2	FIXTURE
B	1	"U" SHAPED JOINER
C	2	SIDE PLATE JOINER
D	4	NUT

**MAX RUN LENGTH
PER CIRCUIT 81FT**

Continuous Row Instructions:

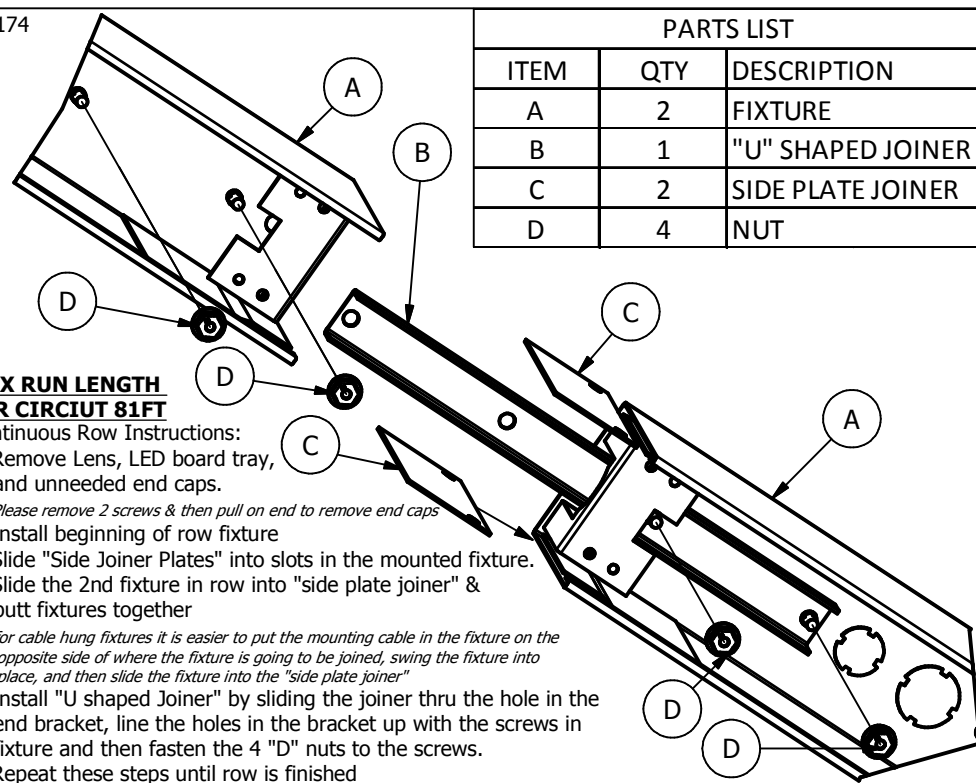
1. Remove Lens, LED board tray, and unneeded end caps.

Please remove 2 screws & then pull on end to remove end caps

2. Install beginning of row fixture
3. Slide "Side Joiner Plates" into slots in the mounted fixture.
4. Slide the 2nd fixture in row into "side plate joiner" & butt fixtures together

for cable hung fixtures it is easier to put the mounting cable in the fixture on the opposite side of where the fixture is going to be joined, swing the fixture into place, and then slide the fixture into the "side plate joiner"

5. Install "U shaped Joiner" by sliding the joiner thru the hole in the end bracket, line the holes in the bracket up with the screws in fixture and then fasten the 4 "D" nuts to the screws.
6. Repeat these steps until row is finished



63174

PARTS LIST		
ITEM	QTY	DESCRIPTION
A	2	FIXTURE
B	1	"U" SHAPED JOINER
C	2	SIDE PLATE JOINER
D	4	NUT

**MAX RUN LENGTH
PER CIRCUIT 81FT**

Continuous Row Instructions:

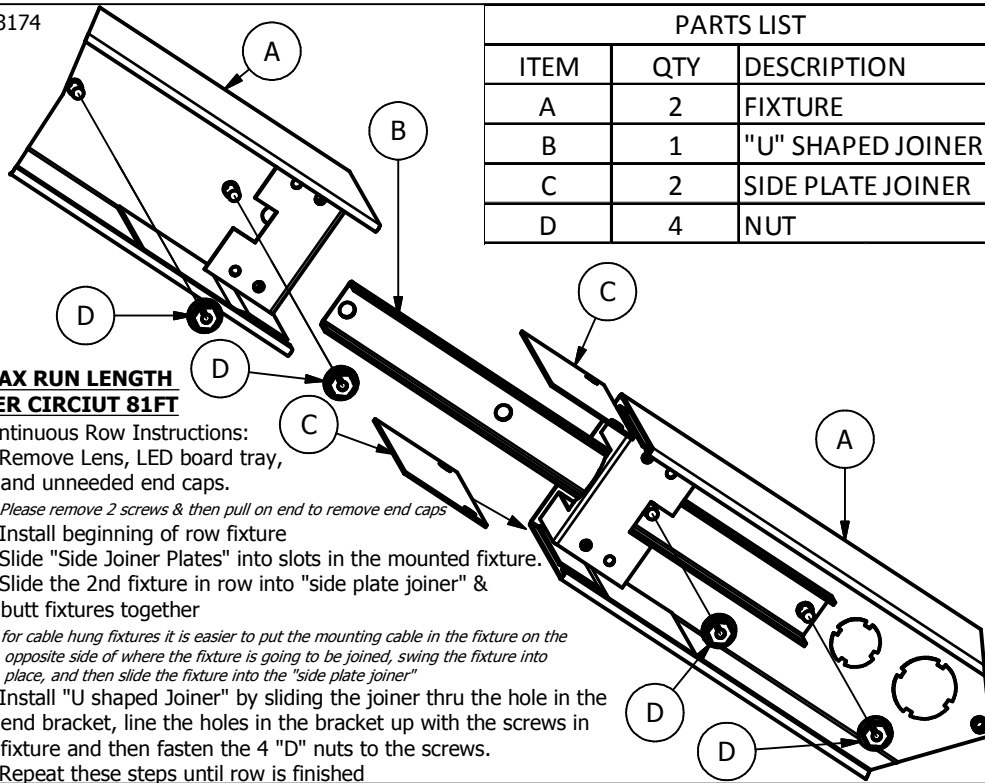
1. Remove Lens, LED board tray, and unneeded end caps.

Please remove 2 screws & then pull on end to remove end caps

2. Install beginning of row fixture
3. Slide "Side Joiner Plates" into slots in the mounted fixture.
4. Slide the 2nd fixture in row into "side plate joiner" & butt fixtures together

for cable hung fixtures it is easier to put the mounting cable in the fixture on the opposite side of where the fixture is going to be joined, swing the fixture into place, and then slide the fixture into the "side plate joiner"

5. Install "U shaped Joiner" by sliding the joiner thru the hole in the end bracket, line the holes in the bracket up with the screws in fixture and then fasten the 4 "D" nuts to the screws.
6. Repeat these steps until row is finished



63174

PARTS LIST		
ITEM	QTY	DESCRIPTION
A	2	FIXTURE
B	1	"U" SHAPED JOINER
C	2	SIDE PLATE JOINER
D	4	NUT

**MAX RUN LENGTH
PER CIRCUIT 81FT**

Continuous Row Instructions:

1. Remove Lens, LED board tray, and unneeded end caps.

Please remove 2 screws & then pull on end to remove end caps

2. Install beginning of row fixture
3. Slide "Side Joiner Plates" into slots in the mounted fixture.
4. Slide the 2nd fixture in row into "side plate joiner" & butt fixtures together

for cable hung fixtures it is easier to put the mounting cable in the fixture on the opposite side of where the fixture is going to be joined, swing the fixture into place, and then slide the fixture into the "side plate joiner"

5. Install "U shaped Joiner" by sliding the joiner thru the hole in the end bracket, line the holes in the bracket up with the screws in fixture and then fasten the 4 "D" nuts to the screws.
6. Repeat these steps until row is finished

