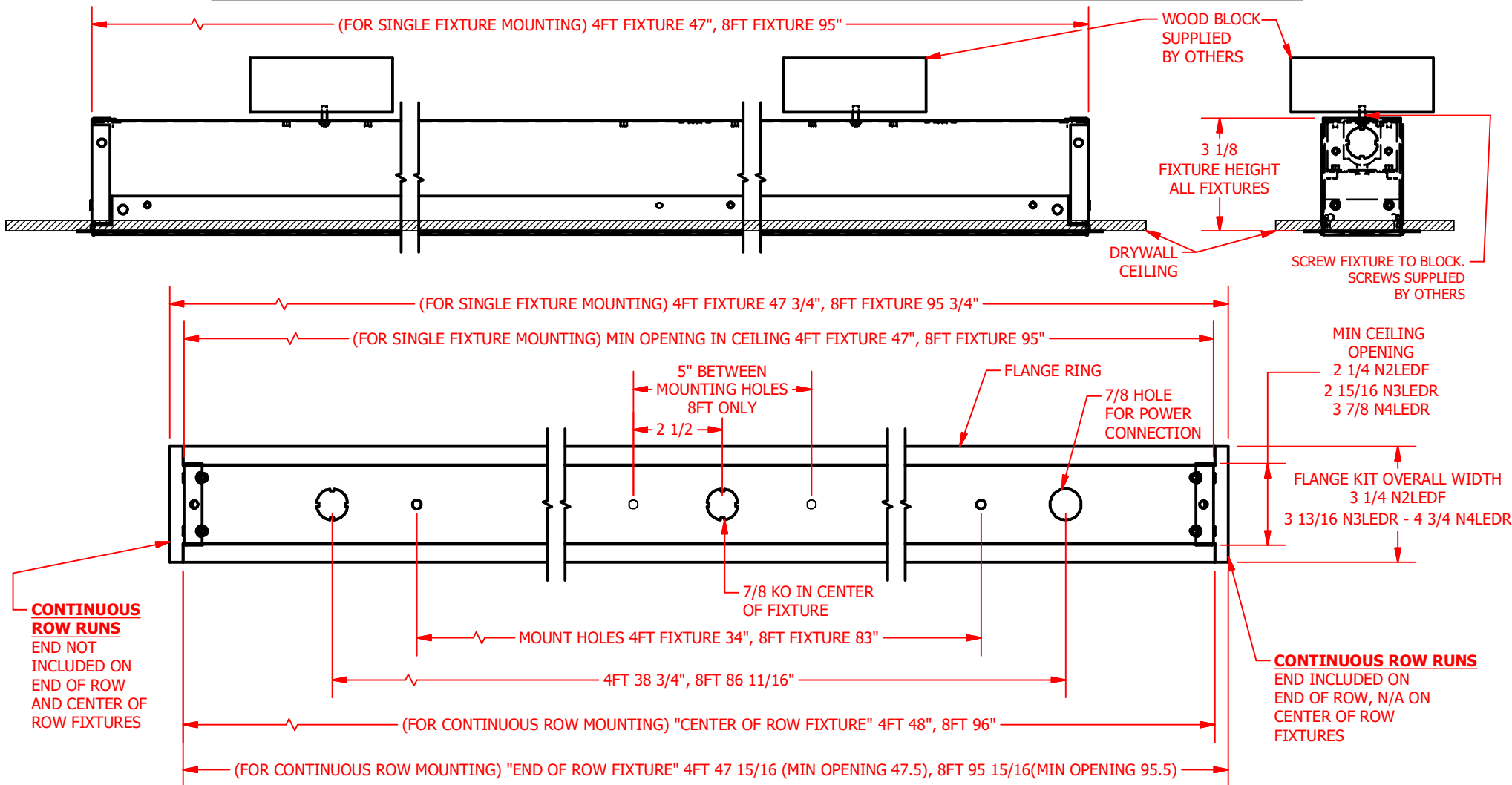
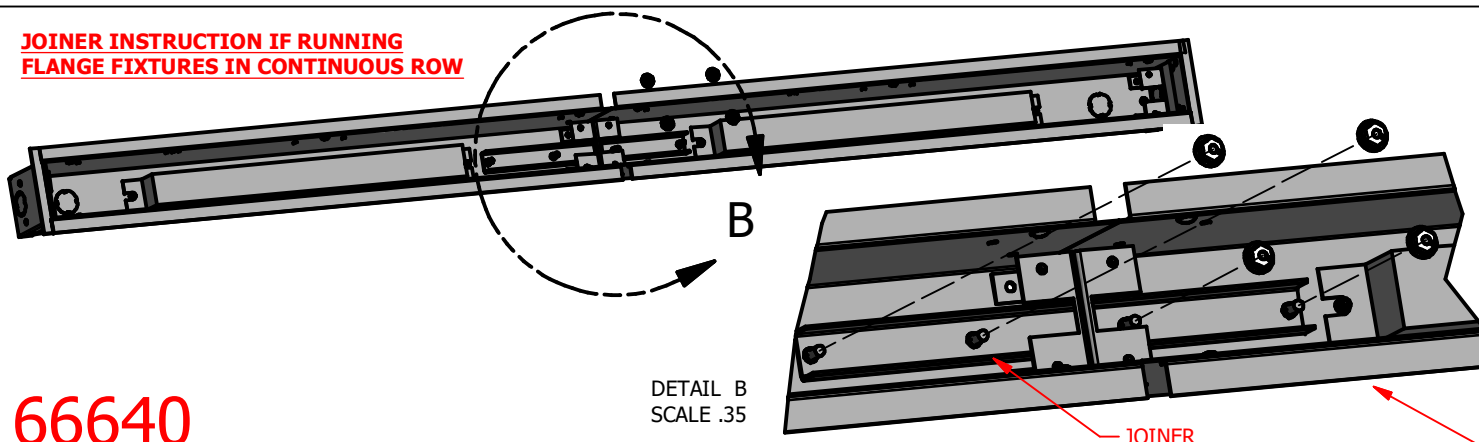


INSTRUCTIONS FOR 4 & 8FT SINGLE UNIT, OR BEGINNING/END OF ROW SHEETROCK FIXTURES



JOINER INSTRUCTION IF RUNNING FLANGE FIXTURES IN CONTINUOUS ROW



- STEP 1: REMOVE LENSES BY PULLING THEM OUT (THE LENS SNAPS IN & OUT OF FIXTURE)
- STEP 2: REMOVE LED BOARD TRAY
- STEP 3: MOUNT FIXTURE TO BLOCKING PER ABOVE
- STEP 4: *IF CONTINUOUS ROW ATTACH JOINER
- STEP 5: PLACE LED BOARD TRAY BACK IN FIXTURE & ATTACH IT TO THE FIXTURE WITH SUPPLIED SCREWS
- STEP 6: SNAP LENS BACK INTO FIXTURE

*STEP 4 SHOWN HERE IF NECESSARY PLACE JOINER AT OPEN END OF FIXTURE AND ATTACH SUPPLIED NUTS AS SHOWN

66640